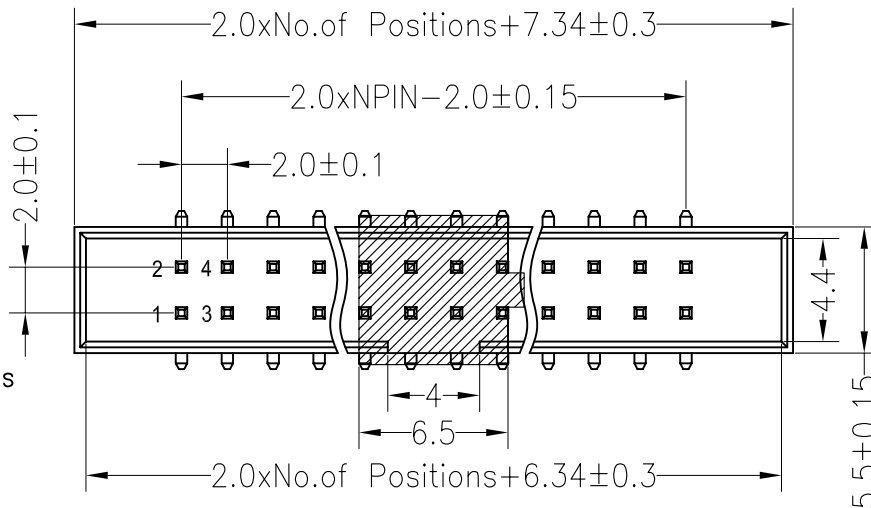


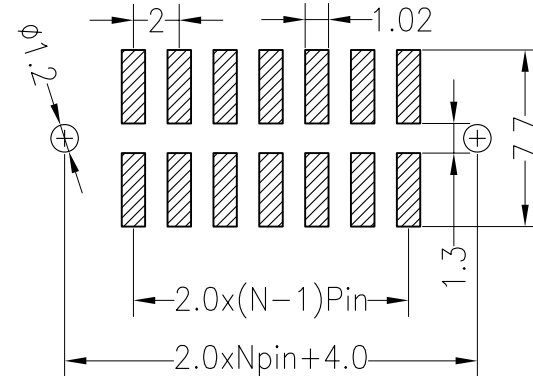
SPECIFICATIONS

Rated Current:1.5AMP
 Contact Resistance:20mΩ Max
 Withstand Voltage:400V AC/DC
 Insulation Resistance:800MΩ Min
 Operation Temperature:-40°C to +105°C

Contact Material:Brass
 Contact Plating:Au or Sn Over Ni
 Insulator Material:Polyester(UL94V-0)
 Standard: PA6T
 Max.Processing Temp: 230°C for 30-60 seconds
 (260°C for 10 seconds)



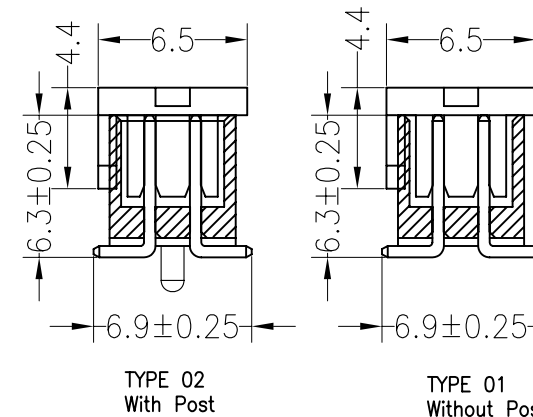
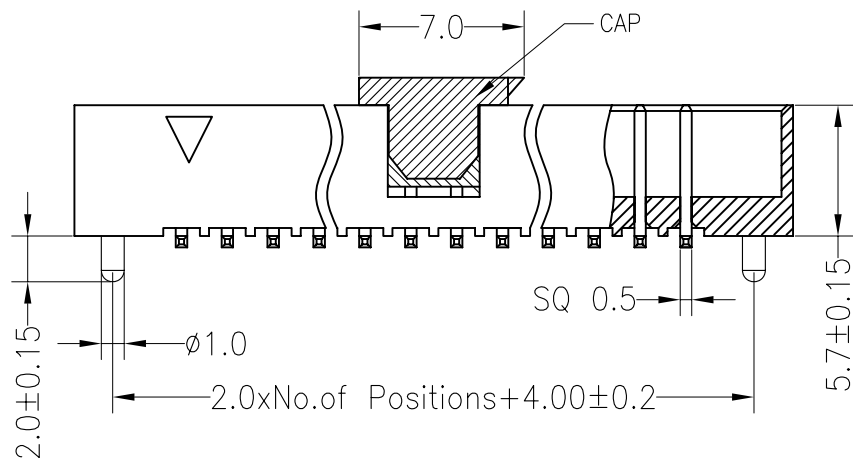
Recommended P.C.B Layout(Top Side)
 (PCB BOARD TOLERANCE±0.05)



Ordering Information

3220 XX M XX X B K00 X 01(2)

- No.of Pins
6--64
- Contact Plating
G0:Gold Flash
G1:3U" Gold
G2:5U" Gold
G3:10U" Gold
G4:15U" Gold
G5:30U" Gold
S0:Gold Flash/Tin
- Insulator Material Option
A=BK-PBT
B=BK-PA66
C=BK-PA6T
D=BK-PA46
E=BK-PA9T
F=BK-LCP
- Packing
0=PE Bag
A=Tray
T=Tube
P=Tube+Cap
R=Reel+Cap



OPERATION		DRAW	YiYuSheng	16.05.21	SCALE	FIT
X.X	±0.30					
X.XX	±0.20	CHECK			UNIT	mm
X.XXX	±0.10					
Angle	±3°	APPROVE			SIZE	A4
DIM	TOL					
		PROJ.			SHEET	1/1

JILN® 深圳市锦凌电子有限公司
 SHENZHEN JINLING ELECTRONIC CO.,LTD
 Tel: 86-755-2997-5806/5802 Fax: 86-755-2997-5992

A0	2016.05.21	NEW DRAWING							
REV	DATE	MODIFICATION DESCRIPTION	CHANGE						

PART NO. 3220XXMXXXBK00X01(2)
 TITLE: 2.0Box Header Npin H5.7mm SMT