

SPECIFICATIONS

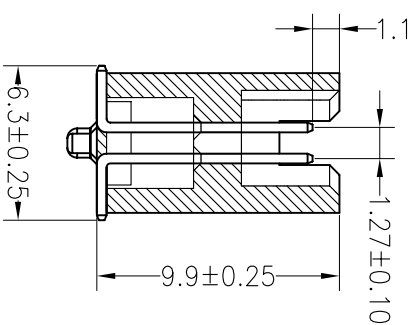
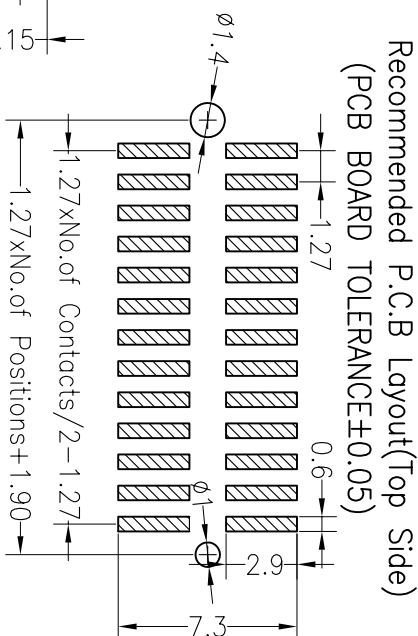
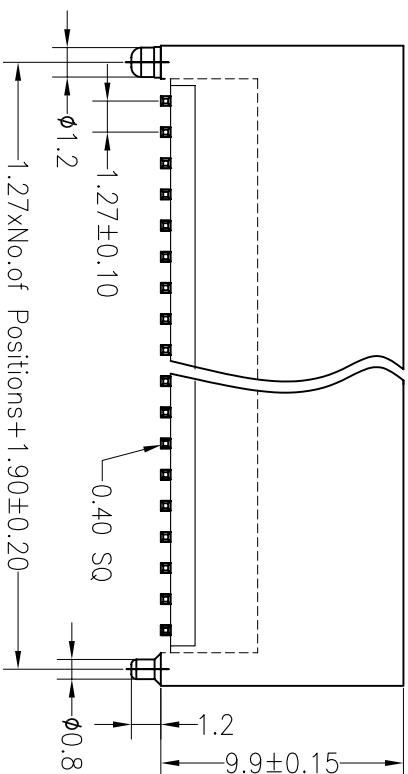
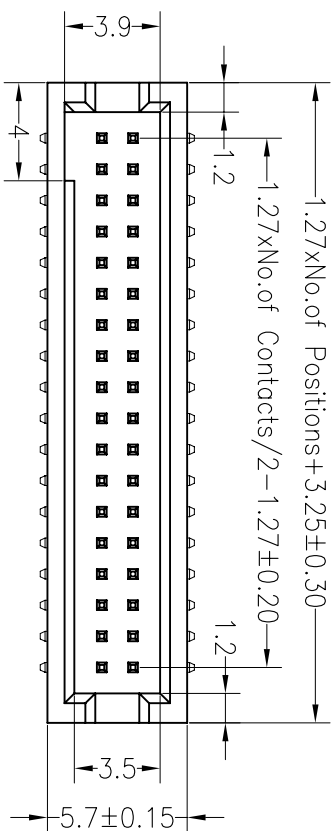
Rated Current:1.0AMP
 Contact Resistance:20mΩ Max
 Withstand Voltage:500V AC/DC
 Insulation Resistance:1000MΩ Min
 Operation Temperature:-40°C to +105°C

Contact Material:Brass
 Contact Plating:Au or Sn Over Ni
 Insulator Material:Polyester(UL94V-0)
 Standard: PA6T
 Max.Processing Temp: 230°C for 30-60 seconds
 (260°C for 10 seconds)

Ordering Information

3234 XX M XX X B K00 X01

No. of Pins 10-100P
 Contact Plating G0:Gold Flash
 G1:3U" Gold
 G2:5U" Gold
 G3:10U" Gold
 G4:15U" Gold
 G5:30U" Gold
 S0:Gold Flash/Tin
 Insulator Material Option
 A=BK-PBT
 B=BK-PA66
 C=BK-PA6T
 D=BK-PA46
 E=BK-PA9T
 F=BK-LCP
 Packing Bag
 0=PE Bag
 A=Troy
 T=Tube
 P=Tube+Cap
 R=Reel+Cap
 S:Tin



A	REV	DATE	MODIFICATION DESCRIPTION	CHANGE	DIM	TOL	APPROVE	PROJ.	TITLE:
	A0	2014.04.26	NEW DRAWING		Angle	±3°		1/1	3234XXMXXBK00X01
B	OPERATION		DRAW	BEN	SCALE	FIT	PART NO.		
	X.X	±0.30		14.04.26	UNIT	mm	SHENZHEN JINLING ELECTRONIC CO.,LTD		
C	OPERATION		CHECK		SIZE	A4	深圳市锦凌电子有限公司		
	X.XX	±0.20			SHEET	1/1	Tel: 86-755-2997-5806/5802 Fax: 86-755-2997-5992		
D	OPERATION		APPROVE		PROJ.	◆	1.27 BDX HEADER H9.9 SMT L=11.0		
	X.XXX	±0.10					8		
E	OPERATION						9		
F	OPERATION								
G	OPERATION								