

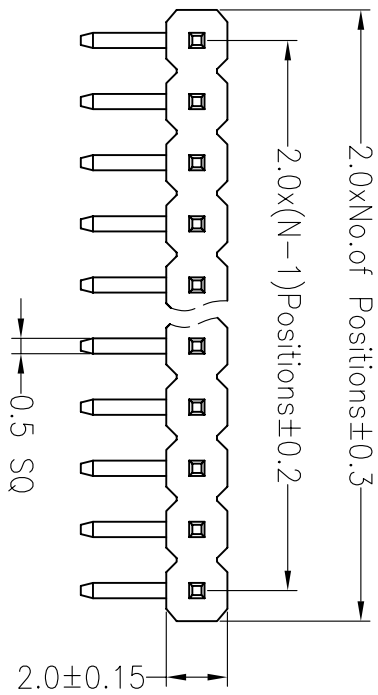


FILE NO: E362810

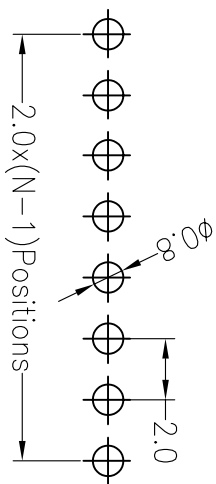
SPECIFICATIONS

Rated Current: 1.5AMP
 Contact Resistance: 20mΩ Max
 Withstand Voltage: 500V AC/DC
 Insulation Resistance: 1000MΩ Min
 Operation Temperature: -40°C to +105°C

Contact Material: Brass
 Contact Plating: Au or Sn Over Ni
 Insulator Material: Polyester (UL94V-0)
 Standard: PA6T
 Max. Processing Temp: 230°C for 30-60 seconds
 (260°C for 5 seconds)



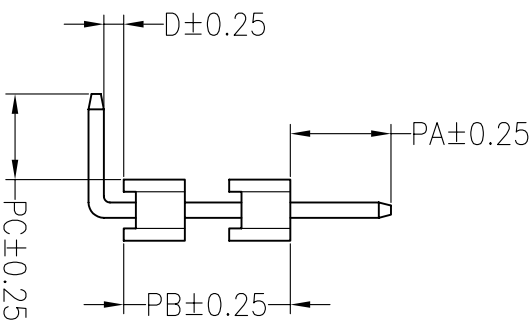
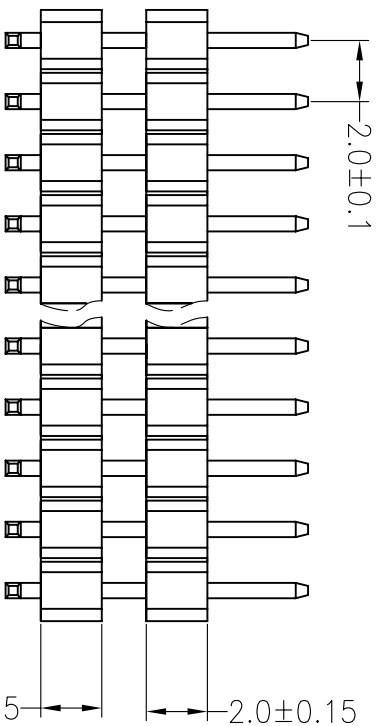
Recommended P.C.B Layout (Top Side)
 (PCB BOARD TOLERANCE ±0.05)



Ordering Information

1320 21 XX X N XX R XXX X 01

No. of Pins Per Row 1x40
 Insulator Material Option
 A=BK-PA6T
 B=BK-PA66
 C=BK-PA6T
 D=BK-PA46
 F=BK-LCP
 Contact Plating
 G0: Gold Flash
 G2: 5U" Gold
 G3: 10U" Gold
 G4: 15U" Gold
 G5: 30U" Gold
 S0: Gold Flash/Tin
 SN: Tin
 Pin Length
 Packing
 0=PE Bag
 A=Troy
 T=Tube



| Dimension antitheses list | | | | | |
|---------------------------|------|------|------|------|-------|
| ITEM | PA | PB | PC | D | L |
| Standard | 4.00 | 4.00 | 2.80 | 0.10 | 11.90 |
| Alternate | | | | | |

JIN 深圳市锦凌电子有限公司
 SHENZHEN JINLING ELECTRONIC CO.,LTD
 Tel: 86-755-2997-5806/5802 Fax: 86-755-2997-5992

| OPERATION | | DRAW | | SCALE | | FIT | | PART NO. | |
|-----------|-------|-----------|--|-------|----|-------|-----|--|--|
| X.X | ±0.30 | YTYuSheng | | UNIT | mm | A4 | 1/1 | 132021XXXXXXRXXX01 | |
| X.XX | ±0.20 | CHECK | | SIZE | A4 | SHEET | 1/1 | TITILE: 2.0Pp 1xNpin 2+H2.0mm Single 90° | |
| X.XXX | ±0.10 | APPROVE | | PROJ. | | | | | |
| Angle | ±3° | | | | | | | | |
| DIM | TOL | | | | | | | | |

| REV | DATE | MODIFICATION DESCRIPTION | CHANGE |
|-----|------------|--------------------------|--------|
| A0 | 2012.10.10 | NEW DRAWING | |
| 1 | | | |